

JET

HVBS-812RK Metal Working Bandsaw

**50000301M / 50000301T
230/50/1 400/50/3**

**PARTS LIST
ERSATZTEILLISTE
LISTE DE PIÈCES**

WMH Tool Group AG
Bahnstrasse 24, CH – 8603 Schwerzenbach
www.wmhtoolgroup.ch; info@wmhtoolgroup.ch
Tel +41 (0) 44 806 47 48
Fax +41 (0) 44 806 47 58

P-50000301M/T 07/12



**Parts List for the HVBS812RK Metal Bandsaw
Base and Bow Assembly**

Index No.	Part No.	Description	Size	Qty.
1.....	HVBS812R-001	Base.....		1
2.....	HVBS812R-002A	Stand Complete Assembly (included 2-1~2-4).....		1
2-1	HVBS812R-002-1	Coolant Pan.....		1
2-2	HVBS812R-002-2	Leg (Right).....		1
2-3	HVBS812R-002-2	Leg (Left)		1
2-4	HVBS812R-002-3	Panel.....		1
3.....	HVBS812R-003.....	Vise Jaw Bracket (movable).....		1
4.....	HVBS812R-004.....	Washer	3/8"x25mmx2t	2
5.....	HVBS812R-005.....	Fixed Bolt.....		1
6.....	TS-0209071	Hex. Socket Head Screw	3/8"-16*1-1/2"	1
7.....	TS-0561051	Hex. Nut.....	1/2"	1
8.....	HVBS812R-008.....	Washer	1/2"x28mmx2t	2
9.....	TS-0070051	Hex Cap Bolt.....	1/2"x2"	1
10	HVBS812R-010.....	Vise Jaw Bracket (fixed).....		1
13	HVBS812R-013.....	Knob.....		1
14	HVBS812R-014.....	Knob.....		1
15	HVBS812R-015.....	Washer	M12xt2	1
16	HVBS812R-016.....	Pressure Lump.....		1
17	TS-0267051	Socket Set Screw.....	5/16"x1/2"	1
18	HVBS812R-018.....	Acme Nut.....		1
19	HVBS812R-019.....	Acme Screw	TW22x5G	1
21	HVBS812R-021	Pressure Shaft		1
22	TS-0050171	Hex Cap Bolt.....	5/16"x5/8"	2
23	HVBS812R-023.....	Washer	5/16"x23mmx3t	2
24	HVBS812R-024.....	Down Bracket.....		1
25	HVBS812R-025.....	Hex Cap Bolt.....	3/8"x1-3/4"	1
26	TS-0060091	Hex Cap Bolt.....	3/8"x2"L	1
27	HVBS812R-027	Washer	3/8"x20mmx2t	1
28	TS-0570032.....	Hex Nut.....	3/8"	2
29	HVBS812R-029.....	Plastic Round Knob		1
30	HVBS812R-030.....	Knob W/Shaft		1
37	HVBS812R-037.....	Packing.....		4
41	HVBS812R-041	Pan Head Screw	3/16"x3/8"	2
48	HVBS812R-048.....	Pan Head Screw	M4X30	2
50	HVBS812R-050.....	Stop Block		1
51	HVBS812R-051	Thumb Screw		1
52	HVBS812R-052E	Stock Stop Rod		1
53	HVBS812R-053.....	Hex Cap Bolt.....	5/16"x3/4"	1
54	TS-0267021	Socket Set Screw.....	1/4"x5/8"	1
55	HVBS812R-055.....	Cylinder Lower Support.....		1
56	TS-0060061	Hex Cap Bolt.....	3/8"x1-1/4"	2
57	HVBS812R-057	Washer	3/8"x20mmx2t	2
58	BB-51101	Thrust Bearing.....	51101	1
59	HVBS812R-059.....	Washer	13.5x25mmx2t	1
60	HVBS812R-060.....	Spring.....		1
61	HVBS812R-061.....	Support Rod		1
62	HVBS812R-062.....	Bushing.....		1
63	HVBS812R-063.....	Washer	1/2"x28mmx2t	2
64	TS-0561051	Hex Nut.....	1/2"	2
70	TS-0060061	Hex Cap Bolt.....	3/8"x1-1/4"	1
76	HVBS812R-076.....	Filter		1

Index No.	Part No.	Description	Size	Qty.
77	HVBS812R-077	Hex Cap Bolt	1/4"x1/2"	1
81	HVBS812R-081	Pan Head Screw	3/16"x3/8"	2
82	HVBS812R-082	Washer	3/16"x12mmx0.8t	2
83	HVBS812R-083	Scale		1
84	HVBS812R-084	Spring		1
85	HVBS812R-085	Spring Adjusting Screw		1
86	TS-0051031	Hex Cap Bolt	5/16"x3/4"	1
87	HVBS812R-087	Washer	5/16"x23mmx2t	1
88	HVBS812R-088	Spring Handle Bracket		1
89	HVBS812R-089	Washer	3/8"x23mmxt2	1
90	TS-0561031	Nut	3/8"	2
92	HVBS812R-092	Hex Socket Head Screw	3/8"-16*1-1/4"	3
93	TS-0209062	Washer	3/8"	3
96	HVBS812R-096	Rear Pivot Bracket		1
98	HVBS812R-098	Socket Set Screw	1/4"x1/2"	1
99	HVBS812R-099	Cylinder Upper Support		1
100	HVBS812R-100	Shaft		1
101	TS-00610051	Hex Cap Bolt	3/8"x1"	2
102	HVBS812R-102	Washer	3/8"x25mmx2t	2
103	HVBS812R-103	Cylinder Complete Set		1
105	HVBS812R-105	Pan Head Screw	1/4"x5/8"L	4
106	HVBS812R-106	Washer	1/4"x19mmx1.5t	4
107	HVBS812R-107E	Pump	230V/50Hz	1
	HVBS812R-107AE	Pump	400V/50Hz	1
	HVBS812R-PLE	Pump Label for CE (not shown)		1
108	HVBS812R-108	Coupler	3/8"PT	1
109	HVBS812R-109	Hose	OD12xID8x200CM	1
110	HVBS812R-110	Hose Clip	5/8"	3
112	HVBS812R-112	Valve Assembly	PT1/8"x1/8"	1
113	HVBS812R-113	Washer	3/8"x23mmx2t	2
114	TS-0209032	Socket Head Cap Screw	3/8"x3/4"L	2
118	HVBS812R-118	Hose	OD16xID13x260	1
119	HVBS812R-119	Coolant Tank		1
126	HVBS812R-126	Washer	5/8"x40mmx3t	4
127	HVBS812R-127	Wheel		2
128	HVBS812R-128	Cotter Pin	ø3x25	2
129	HVBS812R-129	Wheel Rod		1
133	TS-0561051	Nut	1/2"	2
134	HVBS812R-134	Coaster of Stand	1/2"	2
139	HVBS812R-139	Handle		1
145	HVBS812R-145	Bushing		1
147	TS-0720091	Lock Washer	3/8"	4
148	TS-0060061	Hex Cap Bolt	3/8"x1-1/4"	4
149	HVBS812R-149	Switch Cut Off Tip		1
150	HVBS812R-150	Washer	5/16"x18mmx1.5t	1
151	TS-0051071	Hex Cap Bolt	5/16"x1-1/2"	1
152	HVBS812R-152	Upper Bracket		1
153	HVBS812R-153	Washer	5/16"	2
154	TS-0060051	Hex Cap Bolt	5/16"x1/2"	2
155	HVBS812R-155E	Blade	19x0.8x2362mm,6/10T	1
156	HVBS812R-156	Drive Wheel		1
157	TS-0267051	Set Screw	1/4"x1/2"	2
158	HVBS812R-158	C-Retainer Ring	S25	1
159	HVBS812R-159E	Blade Back Cover		1
	HVBS56M-CLB/CE	Caution Label for Blade Back Cover (not shown)		1

Index No.	Part No.	Description	Size	Qty.
160	HVBS812R-160	Washer	1/4"x16mmx1.5t	4
161	HVBS812R-161E	Pan Head Screw	1/4"x1/2"	4
166A	HVBS812R-166A	Idle Wheel Assembly		1
166-1	HVBS812R-166-1	Idle Wheel		1
166-2	HVBS812R-166-2	Bearing Cover		1
166-3	HVBS812R-166-3	Washer	5/16"x18mmx1.5t	1
166-4	TS-0051031	Hex Cap Bolt	5/16"x3/4"	1
166-5	HVBS812R-166-5	Flat Cross Head Screw	3/16"x3/8"	3
166-6	HVBS812R-166-6	Bushing		1
166-8	BB-6202ZZ	Ball Bearing	6202ZZ	2
166-9	HVBS812R-166-9	Bushing		1
170	HVBS812R-170	Tension Scale		1
172	HVBS812R-172	Tension Indication Plate		1
173A	HVBS812R-173A	Shaft Assembly (included #173-1 ~ #173-3)		1
173-1	HVBS812R-173-1	Sliding Plate Draw Block		1
173-2	HVBS812R-173-2	Blade Wheel Shaft		1
173-3	HVBS812R-173-3	Pin	ø4x22	1
176	HVBS812R-176	Sliding Plate		2
177	HVBS812R-177	Blade Tension Sliding Block		1
178	TS-0270071	Set Screw	5/16"x3/4"	1
179	TS-0051071	Hex Cap Bolt	5/16"x1-1/2"	2
180	HVBS812R-180	Washer	5/16"x12mmx2t	2
181	TS-0051031	Hex Cap Bolt	5/16"x3/4"	4
182	TS-0720081	Lock Washer	5/16"	4
183	HVBS812R-183	Spring		1
186	HVBS812R-186	Pan Head Screw	1/4"x3/8"	2
189	TS-0561031	Hex Nut	3/8"	1
198A	HVBS812R-198A	Brush Assembly (included #198-1 ~ #198-4)		1
198-1	HVBS812R-198-1	Brush Support		1
198-2	HVBS812R-198-2	Brush		1
198-3	HVBS812R-198-3	Hex Cap Bolt	M6x30	1
198-4	HVBS812R-198-4	Washer	M6	2
198-5	TS-1523031	Nut	M6	2
200	HVBS812R-200	Pan Head Screw	1/4"x3/8"	2
201	HVBS812R-201	Washer	1/4"	2
205	TS-0060061	Hex Cap Bolt	3/8"x1-1/4"	1
206	HVBS812R-206	Washer	3/8"x25mmx2t	1
211	TS-0051031	Hex Cap Bolt	5/16"x3/4"	4
212	HVBS812R-212	Washer	5/16"x23mmx2t	4
213	HVBS812R-213	Motor Mount Bracket		1
214	HVBS812R-214	Washer	5/16"x23mmx3t	2
215	TS-0051031	Hex Cap Bolt	5/16"x3/4"	2
216	HVBS812R-216	Carriage Screw	5/16"x3/4"	4
217	HVBS812R-217	Motor Mount Plate		1
218	TS-0051091	Hex Cap Bolt	5/16"x2"	2
219	TS-0570021	Nut	5/16"	2
220	HVBS812R-220E	Motor	230V/50Hz	1
	HVBS812R-220SC	Start Capacitor (not shown)	300MFD/250VAC	1
	HVBS812R-220RC	Running Capacitor (not shown)	15uF/300W	1
	HVBS812R-220AE	Motor	400V/50Hz	1
	HVBS812R-MLE	Motor Label for CE (not shown)		1
221	HVBS812R-221	Washer	5/16"x23mmx2t	4
222	TS-0570021	Nut	5/16"	4
223	TS-0267041	Socket Set Screw	1/4"x3/8"	1
224	HVBS812R-224	Motor Pulley		1

Index No.	Part No.	Description	Size	Qty.
225	HVBS812R-225	Key	5x5x30	2
226	HVBS812R-226	Hex Cross Cap Bolt	1/4"x1/2"	2
227	HVBS812R-227	Washer	1/4"x19mmx1.5t	2
228	HVBS812R-228E	Pulley Cover		1
	HVBS56M-CLB/CE	Caution Label for Pulley Cover (not shown)		1
229	HVBS812R-229	Washer	1/4"x16mmx1.5t	3
230	HVBS812R-230E	Plum handle		3
231	HVBS812R-231	Handle Body		1
232	HVBS812R-232	Blade Tension Bar		1
233	HVBS812R-233	Knob		2
234	HVBS812R-234	Pin	ø3x20	1
235	HVBS812R-235	Washer	3/8"x25mmx2t	2
244A	HVBS812R-244A	Worm Gear Shaft Assembly (include #244-1 ~ #244-4)		1
244-1	HVBS812R-244-1	Worm Shaft		1
244-2	HVBS812R-244-2	Key	5x5x30	1
244-3	BB-6003VV	Ball Bearing	6003LLU	2
244-4	HVBS812R-244-4	Bearing Bushing		1
245A	HVBS812R-245A	Gear Box Assembly (included #245-1 ~ #245-15)		1
	HVBS812R-WGBA	Worm Gear Box Complete Assembly (included #244A, 245A)		1
245-1	HVBS812R-245-1	Gear Box		1
245-2	HVBS812R-245-2	Vent Plug	M8xP1	1
245-3	HVBS812R-245-3	Cross Socket Hex Cap Bolt	1/4"x1/2"	4
245-4	HVBS812R-245-4	Gear Box Cover		1
245-5	HVBS812R-245-5	Gear Box Gasket		1
245-6	HVBS812R-245-6	C-Retainer Ring	S25	1
245-7	HVBS812R-245-7	Key	6x6x20mm	1
245-8	HVBS812R-245-8	Worm Gear		1
245-9	HVBS812R-245-9	Bushing		1
245-10	BB-6205VV	Ball Bearing	6205LLU	2
245-11	HVBS812R-245-11	Bushing		1
245-12	HVBS812R-245-12	Transmission Wheel Shaft		1
245-13	HVBS812R-245-13	Key	6x6x20mm	1
245-14	HVBS812R-245-14	Bearing Cover		1
245-15	HVBS812R-245-15	Pan Head Screw	3/16"x3/8"	3
246	HVBS812R-246	Worm Shaft Cover		1
254	HVBS812R-254	Spindle Pulley		1
255	TS-0267041	Set Screw	1/4"x3/8"	2
266	HVBS812R-266	Belt	3Vx270	1
267	HVBS812R-267	Washer	3/8"x25mmx2t	1
269	HVBS812R-269E	Bracket		1
271	HVBS812R-271	Rubber plug		1
281	HVBS812R-281	Hex Cross Cap Bolt	1/4"x1/2"L	8
282	HVBS812R-282	Washer	1/4"x16mmx1.5t	16
283	TS-0561011	Hex. Nut	1/4"	8
284	TS-0060051	Hex Cap Bolt	3/8"*1"	8
285	HVBS812R-285	Washer	3/8"x20mmx2t	16
286	TS-0570021	Hex. Nut	3/8"	9
310	HVBS812R-310	Carriage Screw	1/2"x2"	1
311	HVBS812R-311	Cover		1
312	HVBS812R-312	Limit Switch	AZD-1000	1
313	HVBS812R-313	Bow		1
314	HVBS812R-314	Washer	M10x20mmx2t	1
315	HVBS812R-315	Grip	M10x52	1
316	HVBS812R-316	Blade Cover		1
317A	HVBS812R-317A	Blade Adjustable Assembly (Left) (included #317 ~ #317-13)		1

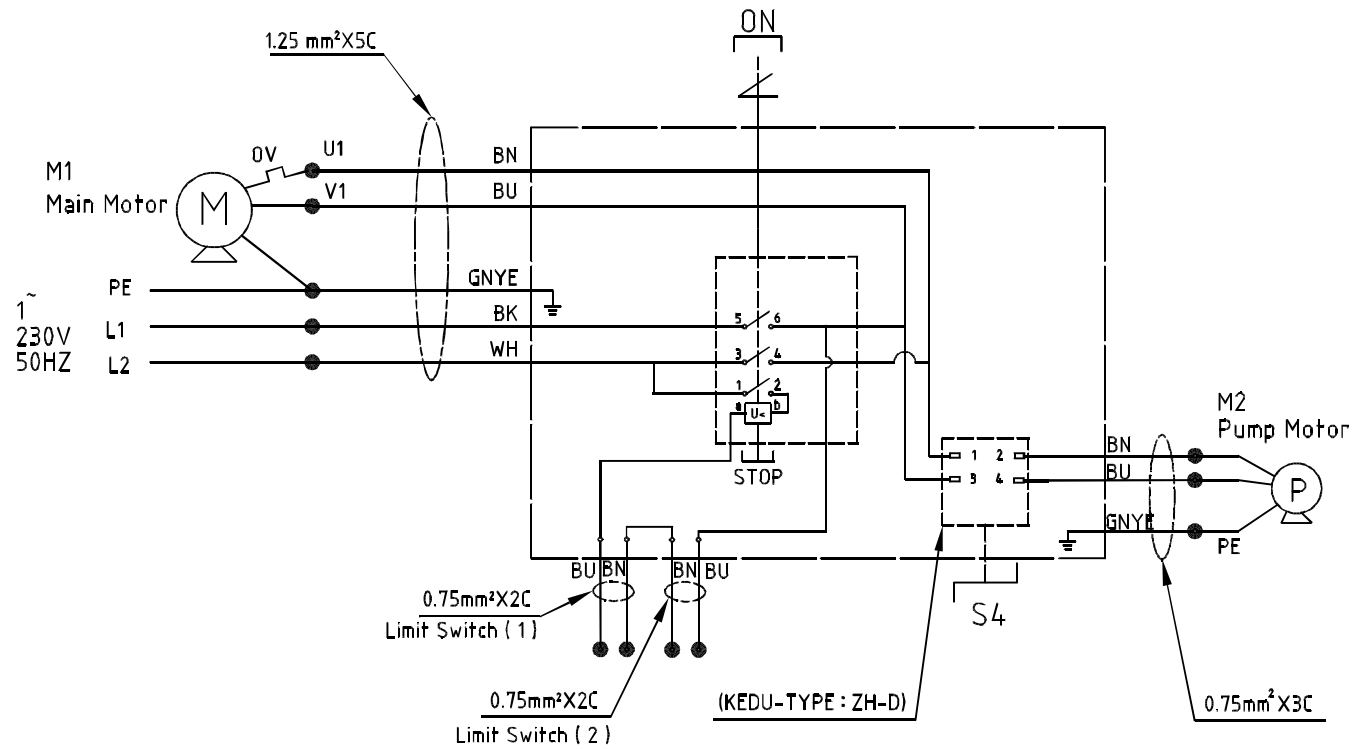
317-1	HVBS812R-317-1	Blade Adjustable Seat (Left)	1
317-2	HVBS812R-317-2	Adjustable Bracket (Front)	1
317-5	HVBS812R-317-5	Button Head Screw..... M8X25	2
317-6	HVBS812R-317-6	Socket Head Cap Screw M6x10	2
317-7	HVBS812R-317-7	Socket Head Cap Screw M6x15	2
317-8	HVBS812R-317-8	Nut..... M10	2
317-9	HVBS812R-317-9	Lock Washer M10	2
317-10	HVBS812R-317-10	Guide Bracket (left)	2
317-11	HVBS812R-317-11	Socket Head Cap Screw 1/4"*3/4"	2
317-12	HVBS812R-317-12	Guide Bracket	1
317-13	HVBS812R-317-13	Hex Socket Head Screw M6x10L	1
318A	HVBS812R-318A	Eccentric shaft Assembly (included #318-2 ~ #318-4)	2
318-2	BB-608ZZ	Ball Bearing 608ZZ	4
318-3	HVBS812R-318-3	C-Retainer Ring S10	2
318-4	HVBS812R-318-4	Eccentric shaft	2
319A	HVBS812R-319A	Bearing Shaft Assembly	2
319-2	BB-608ZZ	Bearing 608ZZ	4
319-3	HVBS812R-319-3	C-Retainer Ring S10	2
319-4	HVBS812R-319-4	Bearing Shaft	2
320A	HVBS812R-320A	Blade Adjustable Assembly (Right) (#320-1 ~ #320-15)	1
320-1	HVBS812R-320-1	Blade Adjustable Seat (right)	1
320-5	HVBS812R-320-5	Hex. Nut..... M10	2
320-6	HVBS812R-320-6	Lock Washer M10	2
320-13	HVBS812R-320-13	Guide Bracket (right)	2
320-14	HVBS812R-320-14	Hex Socket Head Screw 1/4"*3/4"	2
320-15	HVBS812R-320-15	Guide Bracket	1
321	HVBS812RK-321E	Switchbox complete with cables 230V, 1Phase	1
321	HVBS812RK-321AE	Switchbox complete with cables 400V, 3Phase	1
321-1	HVBS812R-321-1	Plug..... 400V, 5 Pin	1
322	HVBS812R-322	Cross Round Head Screw..... M6x12	2
323	HVBS812R-323	Hex. Socket Head Screw 1/4"x1/2"	2
324	HVBS812R-324	Base for Switchbox	1
325	TS-0270051	C-Retainer Ring R17	1
326	HVBS812R-326	Socket Set Screw..... 5/16"x3/8"	1
328-1	HVBS812R-328-1	Rubber Ring..... ø25	1
328-2	HVBS812R-328-2	Strain relief pushing	1
329	HVBS812R-329	Grounding Wire	1
330	HVBS812R-330	Cross Socket Hex Cap Bolt..... 1/4"-20*5/8"	2
331	HVBS812R-331	Washer 1/4"x16x1.5t	2
332	HVBS812R-332	Support Plate	1
333	HVBS812R-333	Socket Set Screw..... M6-1.0P*15	4
334	HVBS812RK-334	Jet Nozzle..... 1/8"x12"	1
335	HVBS812RK-335	Micro Control Block..... PT1/8"x1/4"	2
336	HVBS812RK-336	3 Way Valve	1
337	HVBS812R-337	Hose..... OD12xID8x35CM	1
338	TS-0570021	Nut..... 5/16"	1
**	HVBS812R-JL	Jet Label (not shown)	1
**	HVBS812R-IDE	ID Label for CE (not shown)	1
**	HVBS812R-GL	Ground Label (not shown)	1
**	601W-05L003	Warning Label for Saw (not shown)	1
**	601W-05L005	Warning Label for Glasses (not shown)	1

HVBS-812RK

230/50/1

	meaning of symbol	Bedeutung der Zeichen	interprétation
M1	Main motor	Hauptmotor	Moteur principal
M2	Pump motor	Kühlmittelmotor	Moteur pompe
S4	Pump motor switch	Kühlmittel-Schalter	Boution pompe

	colour of strands	Litzenfarben	couleur des cordons
BK	black	schwarz	noir
WH	white	weiß	blanc
BU	blue	blau	bleu
YE	yellow	gelb	jaune
RD	red	rot	rouge
BN	brown	braun	brun
GY	grey	grau	gris
GNYE	green-yellow	grün-gelb	vert-jaune
OG	orange	orange	orange
VT	violet	violett	violet



HVBS-812RK 400/50/3

